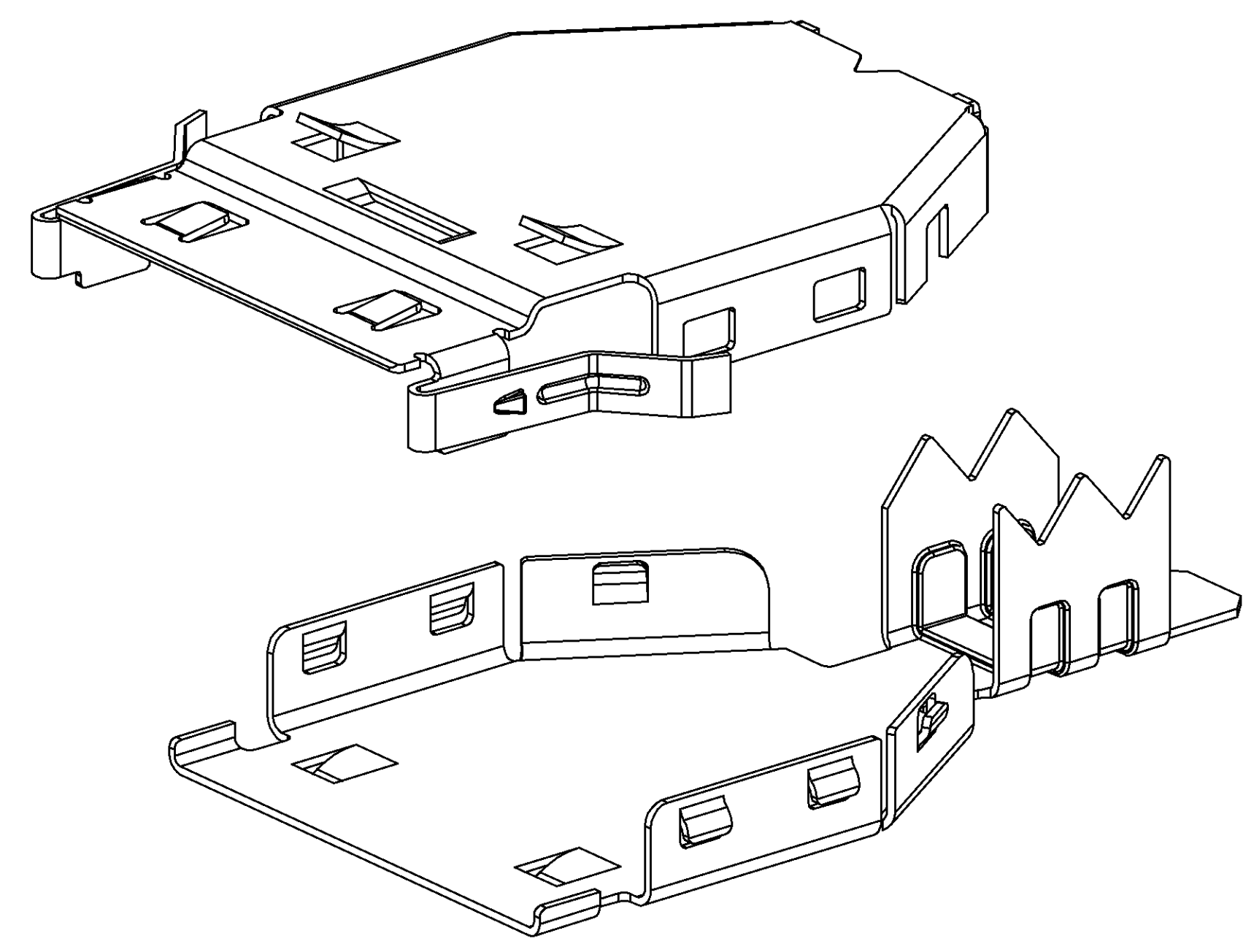
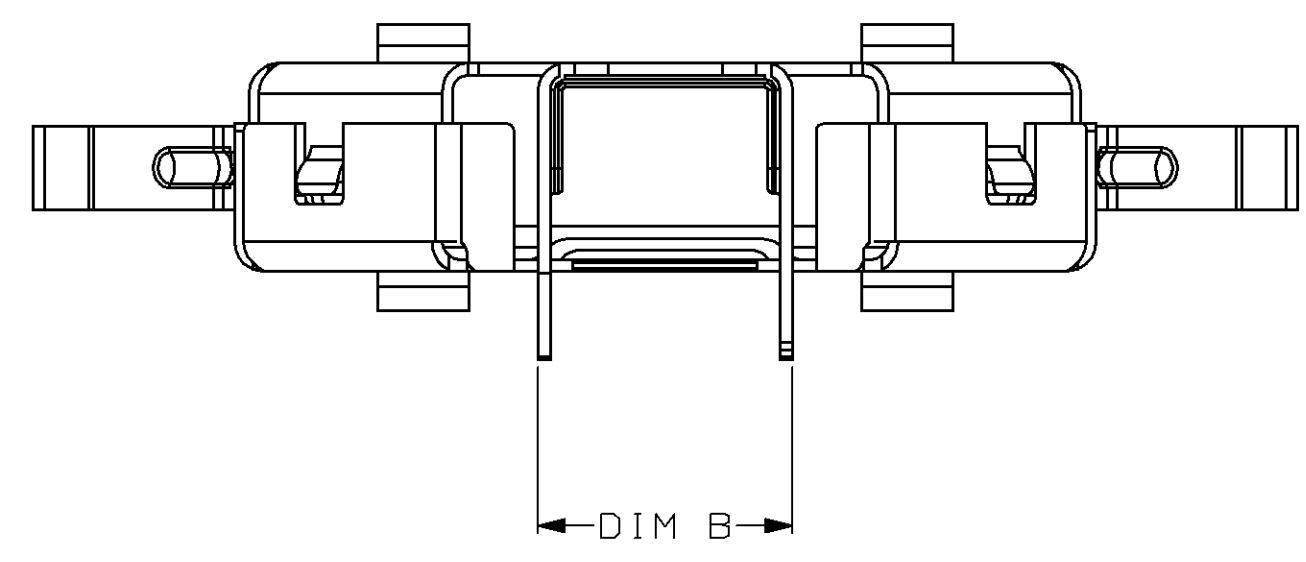
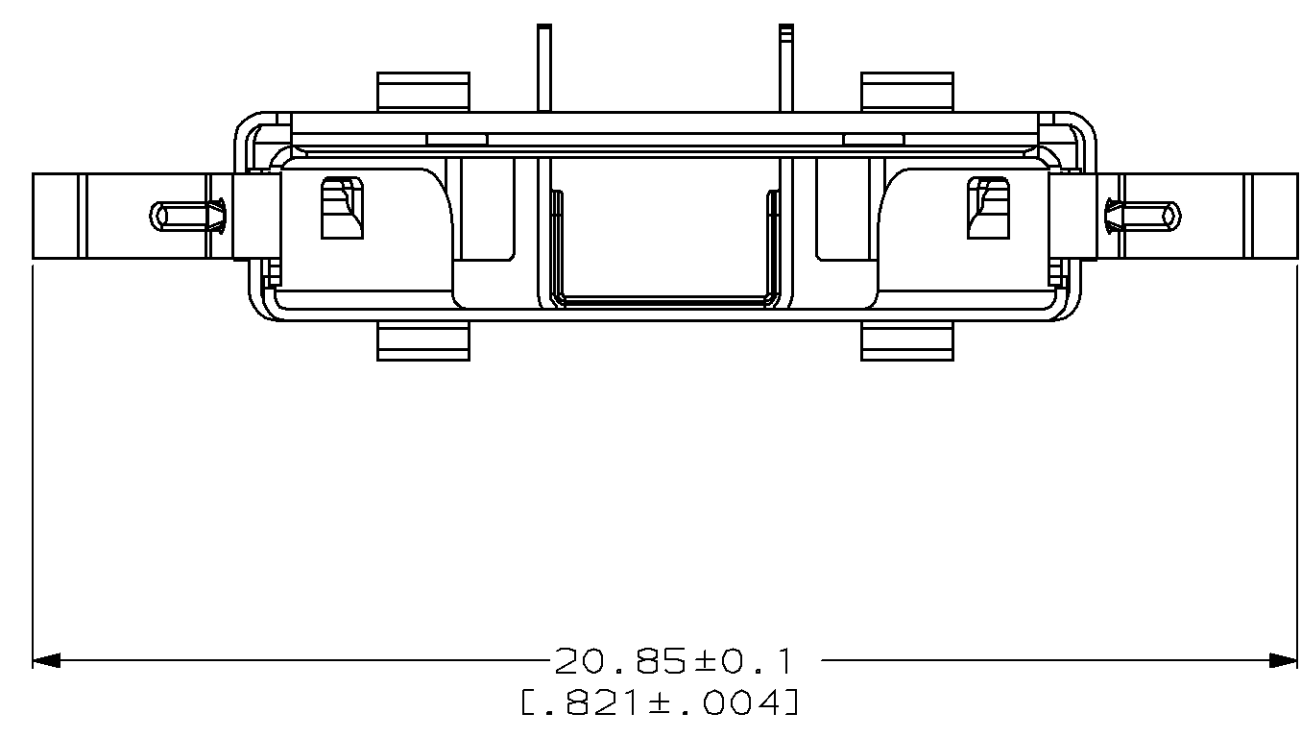
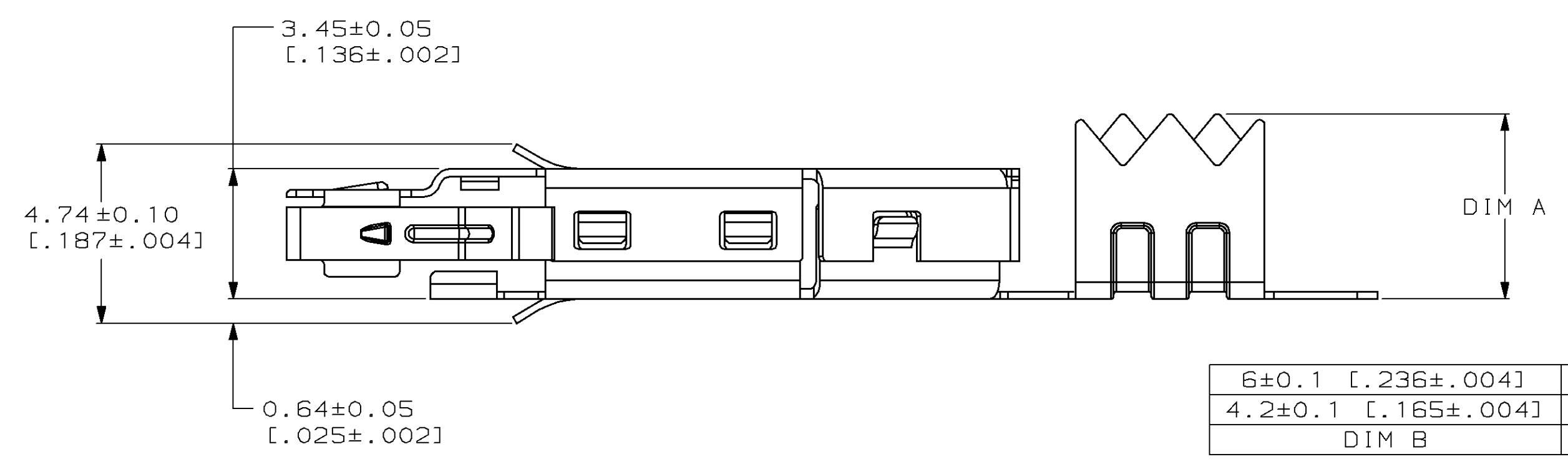
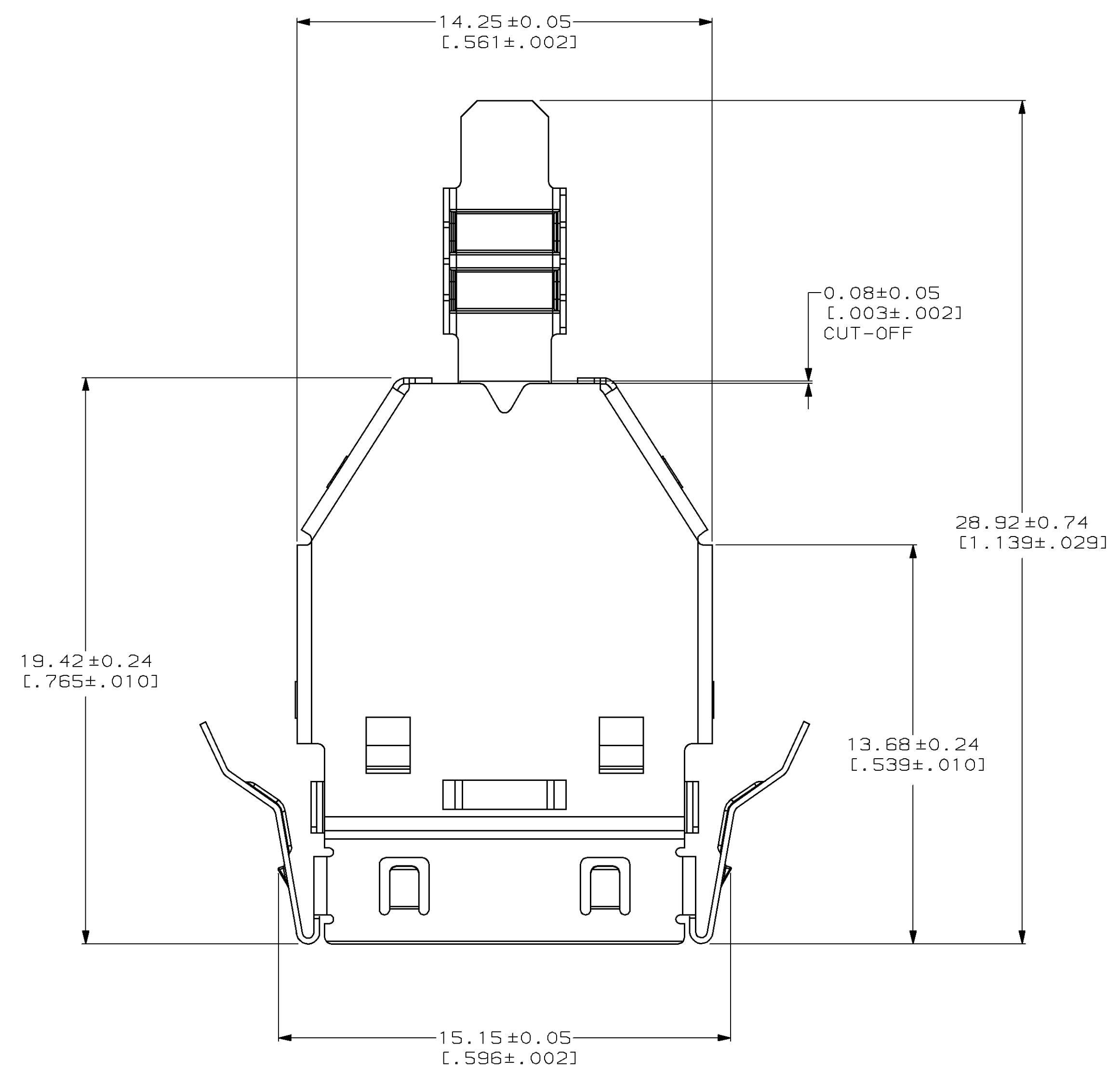


LOC	DIST	REVISIONS			
P	LTR	DESCRIPTION	DATE	DWN	APVD
B		REV; EC 0651-0049-98	14MAY98	CW	JT



- 1. MATERIAL: STAINLESS STEEL.
- 2. THIS KIT SHIPPED NOT ASSEMBLED.
- 3. ACCOMMODATES CABLE OD OF 3.429 [.135] MINIMUM / 3.81 [.150] MAXIMUM.
- 4. ACCOMMODATES CABLE SIZE OF 5.175 [.225] X 3.683 [.145] OVAL.



6 ± 0.1 [.236 ± .004]	5.9 ± 0.1 [.232 ± .004]	4 SHIELD KIT, LARGE CABLE	558790-2
4.2 ± 0.1 [.165 ± .004]	4.9 ± 0.1 [.193 ± .004]	3 SHIELD KIT, SMALL CABLE	558790-1
DIM B		DESCRIPTION	PART NO.

<small>THIS DRAWING IS A CONTROLLED DOCUMENT FOR AMP INCORPORATED. IT IS SUBJECT TO CHANGE AND THE CONTROLLING ENGINEERING DEPARTMENT SHALL BE CONTACTED FOR THE LATEST REVISION.</small>		DWN: R.K. BARKER 10/31/94 CHK: D. HUSSEY 10/31/94 APVD: D. WOLLA 10/31/94	AMP AMP Incorporated Harrisburg, PA 17105-3608
DIMENSIONS: mm (INCHES)	TOLERANCES UNLESS OTHERWISE SPECIFIED: 0 PLC ± 1 PLC ± 2 PLC ± 3 PLC ± 4 PLC ± ANGLES ± FINISH -	NAME: SHIELD KIT, CABLE, SQUEEZE-TO-RELEASE INFOPORT, SERIES III APPLICATION SPEC: - WEIGHT: - CUSTOMER DRAWING	SIZE: A1 CAGE CODE: 00779 DRAWING NO: 558790 SCALE: 8:1 SHEET: 1 OF 1 REV: B